

»FUTURA« series

Oil-mist lubricators with excellent flow rates in modern design.

These devices can be used to top up oil automatically.

A hose must be connected to the threaded nipple on the oil bowl for this purpose.

When the oil filling button on the top of the device is pressed, a Venturi nozzle opens and sucks oil into the bowl under vacuum.

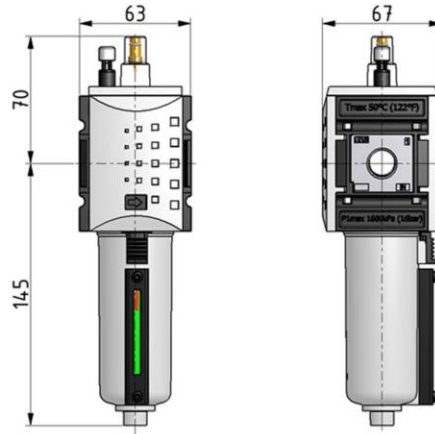
Max. input pressure	16 bar
Temperature range	-10 °C to 50 °C
Medium	Compressed air, neutral gases
Housing	PA66 GF60
Connecting thread	Material: Die-cast zinc
Sight dome	PC
Sealant	NBR
Oil grade	CL 32 acc. to DIN 51517-ISO VG 32
Flow rate measurement	At $P_2 = 6$ bar and pressure drop $\Delta p = 1$ bar

Oil-mist lubricator with metal bowl and sight glass

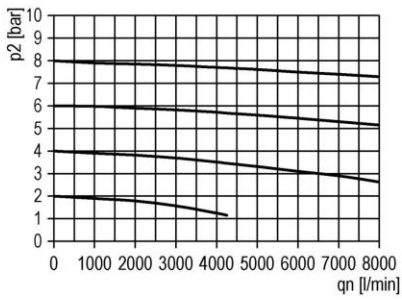
Art. No.	Type No.	Thread	Size	Flow rate l/min
139514	FU 903-M	G 3/8	2	8000
139515	FU 904-M	G 1/2	2	8000

Accessories / spare parts

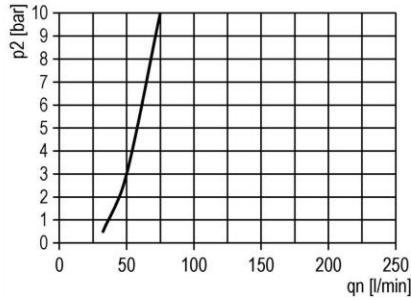
Art. No.	Type No.	Description
100043	H 852	Mounting bracket, incl. 2 screws
100044	WK 102	Wall bracket, incl. 2 screws
100045	KP 200	Joiner set, incl. 2 screws
100215	BSL 12	Polycarbonate bowl, incl. bowl guard for oiler
100216	ML 12	Metal bowl, incl. sight glass for oiler
100331	WK 102-38	Wall bracket with connection thread G 3/8
100332	WK 102-12	Wall bracket with connection thread G 1/2
100333	WK 102-34	Wall bracket with connection thread G 3/4
100214	901.7.990	Sight dome, polycarbonate



flow characteristic



lubricator operating limit



symbol

